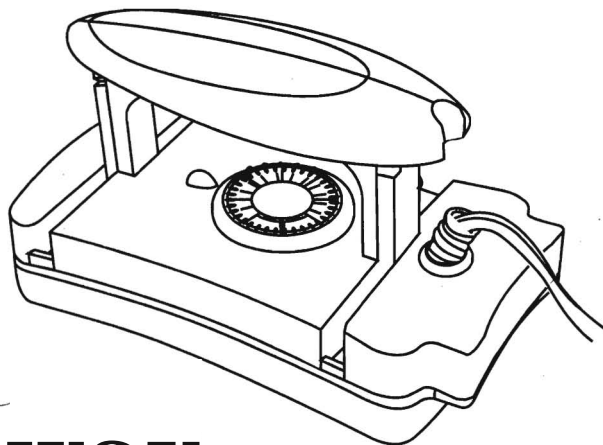


For Skis and Snowboards

- Innovative
- Accurate
- Compact
- Simple

SAVE THESE INSTRUCTIONS



tools4boards

stowaway flatpack wax iron

SAFETY

- READ ALL INSTRUCTIONS BEFORE USING.
- This iron is designed exclusively to wax skis and snowboards. Do not use this iron for any purpose other than waxing skis and snowboards.
- To protect against a risk of electric shock, do not immerse the iron in water or other liquids.
- The iron temperature dial should be set to "OFF" before plugging or unplugging from outlet. Never yank cord to disconnect from outlet; instead grasp plug and pull to disconnect.
- Connect this iron only to compatible voltage as indicated on the iron name plate (either 120V or 220 -240V).
- Never leave iron unattended while plugged into the power supply. Always unplug iron when not in use.
- Do **not** allow cord to touch hot surfaces. Let iron cool completely before putting away. Loop cord loosely around the iron when storing.
- Do not operate iron with a damaged cord or if the iron has been dropped or damaged. To avoid the risk of electric shock, do not disassemble the iron or attempt to make any repairs or modifications to the iron. Incorrect reassembly can cause a risk of electric shock when the iron is used. For repairs required during the warranty period, return the iron to the retailer where it was purchased.
- Do not use near flammable products.
- Close supervision is necessary when iron is **used** by or near children. Do not leave iron unattended while connected or on a table or work bench. Keep out of the reach of children and pets.
- Burns can occur from touching hot metal parts. Use caution when cleaning the iron soleplate.
- Use Tools4Boards vises to securely fasten ski or snowboard to workbench prior to waxing.
- To avoid **circuit overload, do not operate another high-wattage appliance on the same circuit.**
- **If** an extension cord is absolutely necessary, a 15-ampere cord should be used. Cords rated for less amperage may overheat. Care should be taken to arrange the cord so that it cannot be pulled or tripped over.

TEMPERATURE SETTINGS

The correct temperature setting depends on many factors including type of wax being applied, ambient temperature of the room and ski or snowboard base. The temperature setting is correct when no smoke is produced while melting the wax on the sole plate of the iron. As a general rule softer wax melts at a lower temperature while harder wax melts at a higher temperature.

WARNING: Moving the iron too slowly along the ski or snowboard base may cause damage including base burn. Never allow the iron to sit still on the base.

CLEANING THE IRON SOLE PLATE

Unplug the iron from the power supply. Wipe the sole plate of the iron using a towel. Clean often to avoid build up of excess wax. WARNING: WHEN THE SOLEPLATE IS HOT THERE IS A DANGER OF BURNING HANDS AND FINGERS. DO NOT TOUCH EITHER THE SOLEPLATE OR LIQUID WAX WITH BARE HANDS. We take no responsibility for damage or injury that occurs while cleaning the sole plate.

WARRANTY

We provide a 6 month warranty on the Tools4Boards STOWAWAY flatpack wax iron, which begins on the date of purchase. All warranty claims require proof of purchase in the form of a receipt from the retailer where the iron was purchased - warranty will not be provided without this information. Defects in material or manufacturing will be repaired, or the iron replaced at the manufacturer's sole discretion only during the warranty period. There will be no extension of the warranty period if the iron is repaired or replaced. This iron is designed exclusively for waxing skis and snowboards. Any consequential damages caused by the iron are excluded, even if the damage is recognized within the terms of the warranty. All responsibility for damage resulting from other uses will be rejected. Do not attempt to make any repairs or modifications to the iron. For repairs needed during the warranty period, return the iron to the retailer where it was purchased. If the iron is to be sent in for warranty it must be carefully packed with the sender's return address. All packaging and shipping costs are the responsibility of the sender. Examples of damage not covered by the warranty include: damage resulting from improper use of the iron or use not covered in these instructions; damage as a result of transportation of the iron; repairs made by the user or unauthorized 3rd parties; parts subject to normal wear such as the sole plate and power cord.

Tools4Boards

by Innovation Incorporated

3017 6St. SW Calgary, Alberta, Canada T2S 2M1

Produced by VITORA CO., LTD. Chiba, Japan (www.vitora.jp)

under licence of Tools4Boards (www.tools4boards.com)

Tools4Boards is a trademark of Innovation Incorporated



tools4boards

