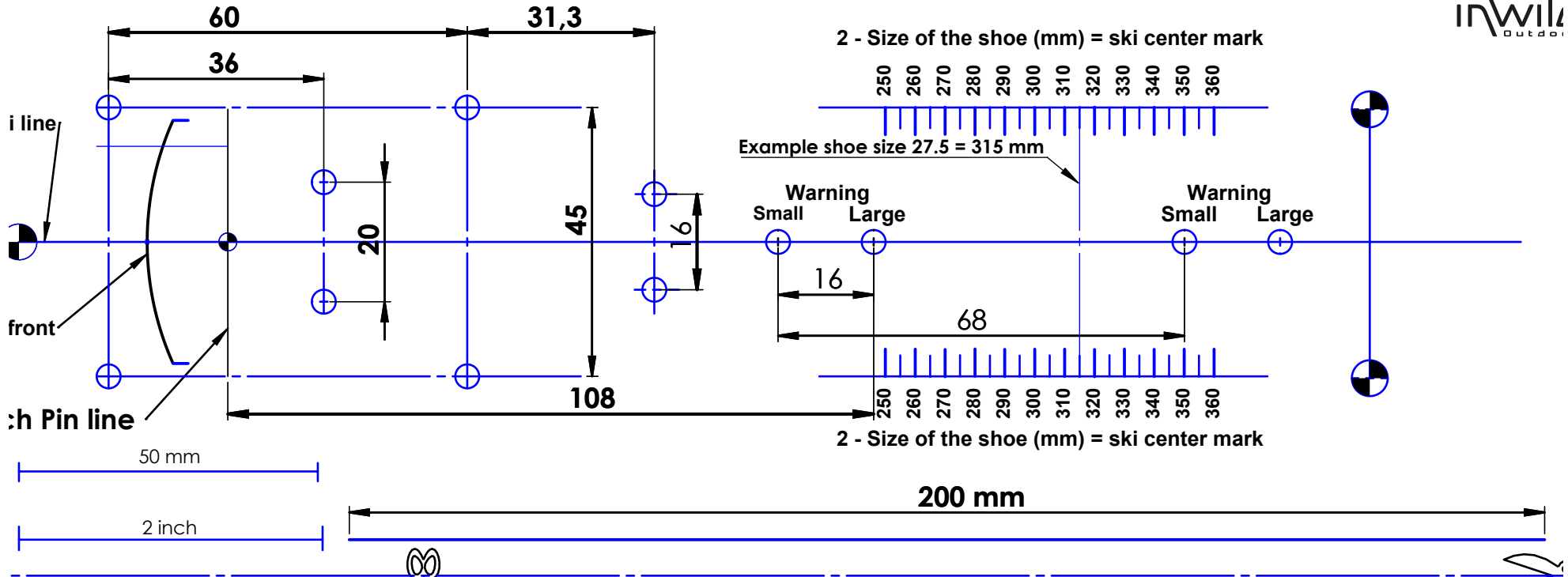


Drilling Pattern for MEIDJO 2.0 Binding



MEIDJO 2.0 Binding

Instruction

Drilling pattern - print it with no scale and check the size is correct.

Align pattern along the line of your boot and the mid-sole mark.

Use pattern A on the center ski line of your ski

Mark the '2' onto the mid-sole ski mark

Use pattern B and align the scale 3 onto mid-sole ski mark

Mark your boot (Boot sole front and back & shoe center)

Drill holes with a $\varnothing 3,6$ mm and 9 mm length drill.

Notes

Drilling

